



Model

# DFF1-UHD

## NETWORK FISH FINDER



Broadband Transducers



CM265LH

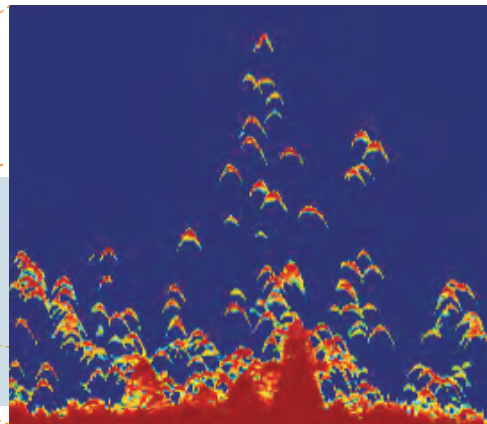
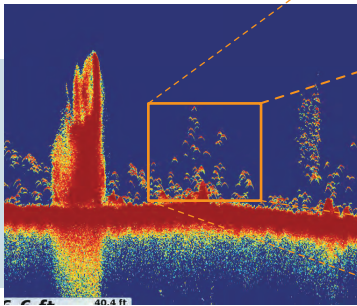


B265LH

### Find More Fish With TruEcho CHIRP™ Fish Finder

You've seen the advancements made when Furuno introduced UHD technology to their line of NavNet DRS/NXT Radars. Furuno is delivering those same advancements in signal clarity and target definition to Fish Finding with their DFF1-UHD - TruEcho CHIRP™ Network Fish Finder.

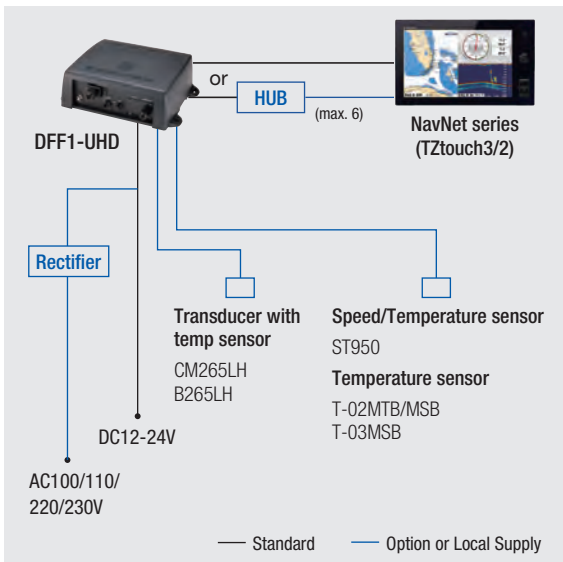
- Designed to operate over a broadband range of frequencies utilizing a broadband transducer
- Clear presentation separates bottom structure from bottom fish, and bait fish from game fish
- Network fish finder works with NavNet TZtouch3/TZtouch2



DFF1-UHD provides easy reading of:

- Density of fish school
- Bottom contours
- Discrimination of single fish close to bottom
- Marks individual game fish and bait fish, even when tightly schooled together

### Interconnection Diagram

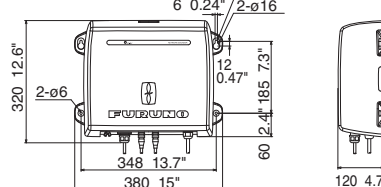


### Comparison Among Network Sounder Series

MODEL	DFF1-UHD	DFF3-UHD	DFF1	BBDS1
Frequency	30-70&175-225 kHz	Frequency Selectable (28 to 200 kHz)	50, 200, or 50&200 kHz	50&200 kHz
Output Power	1 kW	3kW	600W/1 kW	600 W/1 kW
Ultra High Definition	Available	Available	N/A	N/A
ACCU-FISH	Available (Advanced)	Available	Available	Available
Bottom Discrimination	Available (Advanced)	Available	N/A	Available
Waterproof	IP55	IP55	IP20	IP20
Connection	NavNet TZtouch3 NavNet TZtouch2	NavNet TZtouch3 NavNet TZtouch2		

### Dimension

3.5 kg 7.7 lb



SPECIFICATIONS SUBJECT TO CHANGE WITHOUT NOTICE  
 All brand and product names are registered trademarks, trademarks or service marks of their respective holders