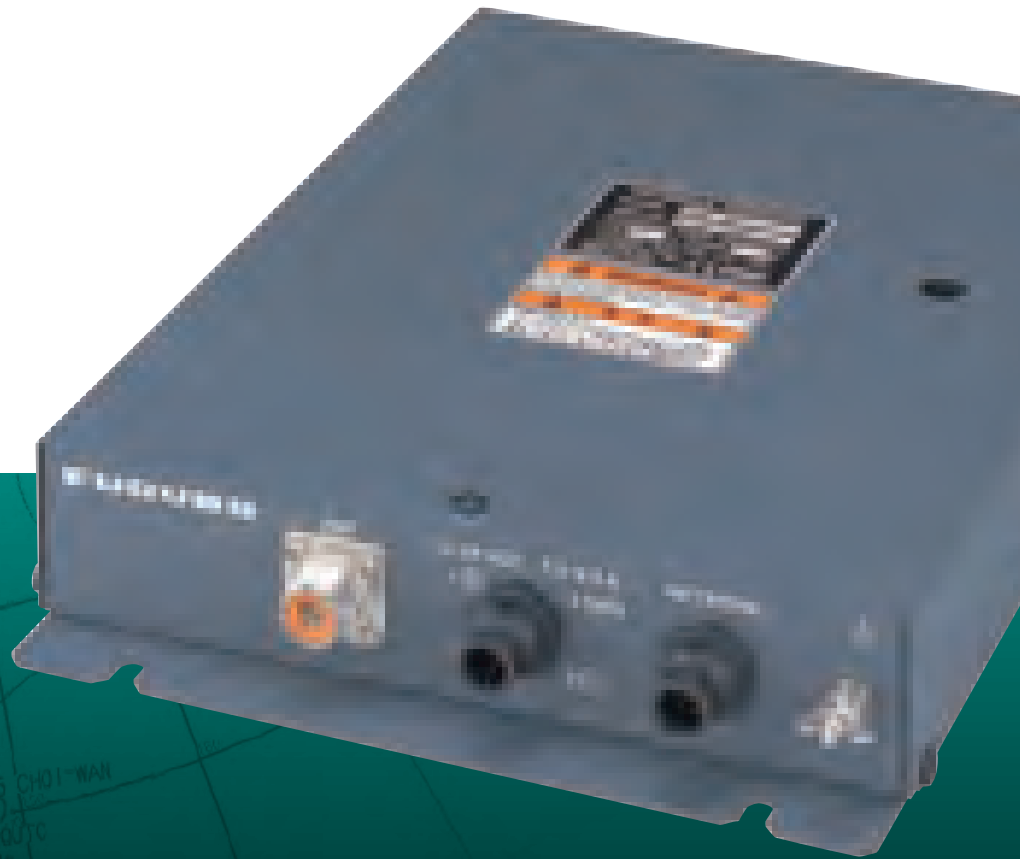


**FURUNO**

# **WEATHER FAX**

*Weather Facsimile Receiver*



Model:  
**FAX-30**



- ▶ **BlackBox unit connects directly to a PC with a printer through a single Ethernet cable.**
- ▶ **Presents weather charts, satellite images and NAVTEX messages on a PC screen**
- ▶ **Selected images/messages can be printed out from a printer interfaced with a PC**
- ▶ **Noise Rejection for clearer images**
- ▶ **Straightforward operation by using web browser**
- ▶ **Thumbnail view for easy selection of stored images**
- ▶ **Built-in NAVTEX receiver**  
(The receiver does not conform to GMDSS regulations.)
- ▶ **Storage of up to twelve images and 130 NAVTEX messages on internal memory**
- ▶ **Fully automatic facsimile operation with a built-in schedule timer**
- ▶ **Facsimile images available in color, gray scale or monochrome**

# solution

## ial Weather/Navigation information on a PC

The FURUNO FAX-30 can turn any commercial PC into a weather fax and NAVTEX receiver. This "BlackBox" receiver unit allows direct connection with a single Ethernet cable to a commercial PC showing weather charts and satellite images.

The standard package includes the receiver unit and installation materials. An optional antenna and Windows® based PC are required for basic operation.

The information can be viewed simply by using an Internet browser, there is no complicated software to learn.

Print out the weather and NAVTEX information by using a printer interfaced with a PC. In addition, the FAX-30 has no mechanical moving parts, which provides maintenance-free and cost-effective solutions for safety information gathering.

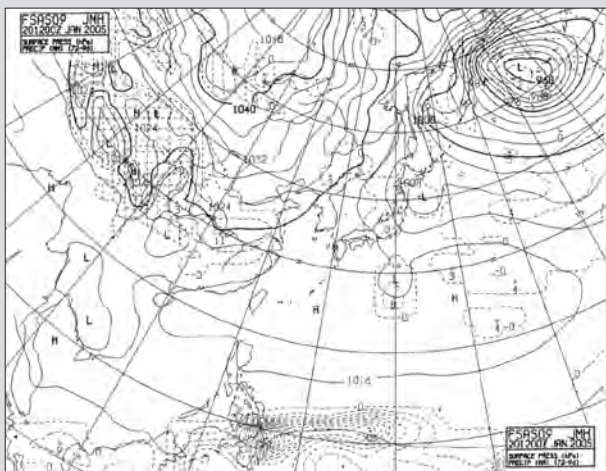
The FAX-30 receives weather map broadcasts from a fax transmitting station working under World Meteorological

Organization (WMO) standards. Up to twelve received pictures can be stored on the internal memory. Drum speeds, Index of Cooperation (IOC), and other essential parameters are manually or automatically selected to ensure quality reception. The fax station, which provides optimum image quality, can be searched utilizing the auto channel mode. The station is selected according to the quality of the signal reception. Phase and synchronization can be adjusted even after the reception is completed.

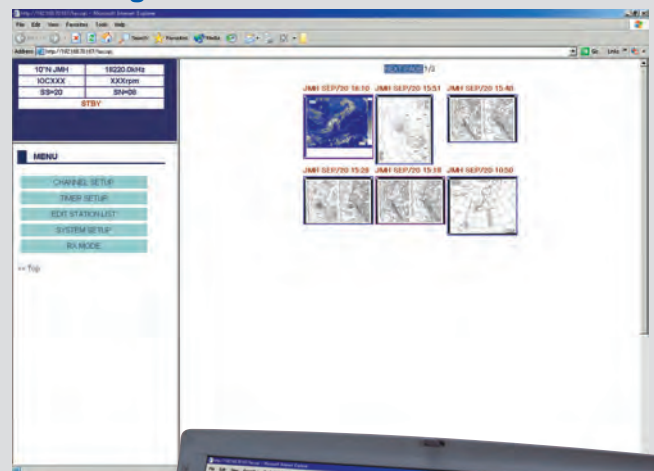
The stored pictures can be freely rotated or zoomed in/out on the screen. Display colors are selectable from three patterns of color, eight tones of gray scale and monochrome.

With a built-in NAVTEX receiver, you can view up to 130 recently received NAVTEX messages. The NAVTEX messages cannot be received while receiving FAX images.

### Weather Chart



### Browsing Screen



### Navtex Message

**GD75 JAN/21 05:49 518kHz ERROR RATE=0.0%**

ZCZC GD75  
221700 UTC JAN 05  
OVERBOARD NO.20  
RUNNING UNMANNED FISHING BOAT WAS  
SIGHTED IN POSITION SOUTHWEST OF  
YAKUSHIMA(30-12.3N 130-25.9E)  
AT 220750UTC.  
THE CREWMAN SEEMS TO HAVE FALLEN  
OVERBOARD.  
SHIPS IN THE VICINITY ARE REQUESTED TO  
KEEP A SHARP LOOKOUT AND REPORT ANY  
INFORMATION TO JAPAN COAST GUARD.

NNNN

### Satellite Image



## SPECIFICATIONS

**PRODUCT NAME** FACSIMILE RECEIVER

### GENERAL

#### Frequency

FAX: LF 80-160 kHz  
MF/HF 2-25 MHz  
NAVTEX: 490 kHz, 518 kHz

#### Class of Emission

FAX: F3C/J3C  
NAVTEX: F1B

#### Receiving System

Double superheterodyne

#### Number of Channels

1000 channels

#### Scanning Speed

60, 90, 120, 180 or 240 r.p.m.,  
automatic or manual selection

#### IOC

576 or 288

#### Display Color

automatic or manual selection  
Monochrome, 8 shades of gray,  
Blue shades, Pink and Black,  
Red and blue

#### Networking Interface

Ethernet 10 BASE-T TCP/IP

### POWER SUPPLY

12-24 VDC, 1.0-0.5 A

### MINIMUM SYSTEM REQUIREMENTS FOR PC

OS: Windows 98, 2000, XP, Vista  
CPU: 600 MHz or faster

RAM: 128 MB or more  
Resolution: 1024 x 768 pixels  
Network Facility: Ethernet network facility required  
Browser: Internet Explorer Ver. 5.01 SP2/5.5 SP2/6.0 SP1/7.0  
Netscape® Communicator Ver. 4.78/6.2/7.0

### Environment

Temperature -15C to +55C  
Waterproof IPX2

### EQUIPMENT LIST

#### Standard

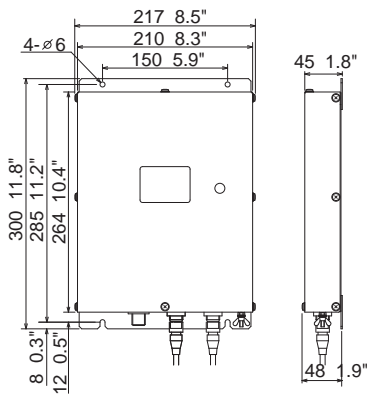
- |  |        |
|--|--------|
| 1. Receiver Unit FAX-30  | 1 unit |
| 2. Installation Materials and Spare Parts<br>(including 5 m Power Cable) | 1 set  |

#### Option

1. Preamp Unit FAX-5 with 15 m cable
2. Whip Antenna for FAX-5 04S4176
3. Antenna Fixing Clamp OP08-11
4. Extension Kit for Antenna Cable OP-04-2 10/20/30/40/50 m
5. PC Adapter Cable MJ-A6SPF0017-050C
6. HUB Adapter Cable MJ-A6SRMD/TM11AP8-005
7. Automatic Printing Software FAX-30-APT

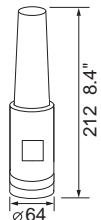
### Receiver Unit

FAX-30 2.0 kg 4.4 lb

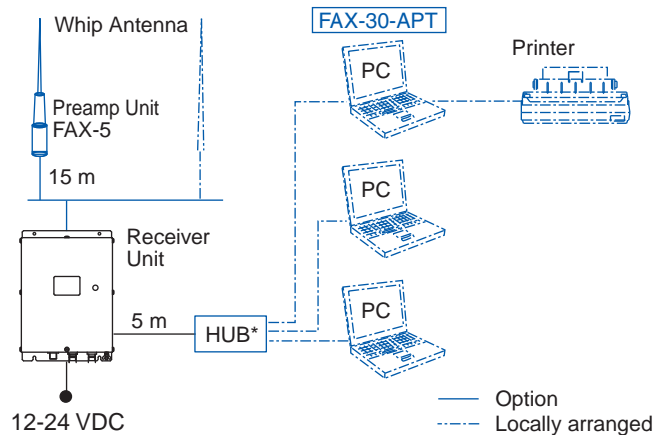


### Preamp Unit (option)

FAX-5 1.3 kg 2.9 lb



### INTERCONNECTION DIAGRAM



\* Not required to connect single PC.

NOTE: FAX-30 cannot be accessed by more than one PC at a time.  
FAX-30-APT can not be run in multiple PC at a time.

All brand and product names are registered trademarks, trademarks  
or service marks of their respective holders.  
SPECIFICATIONS SUBJECT TO CHANGE WITHOUT NOTICE

**FURUNO ELECTRIC CO., LTD.**  
Japan | www.furuno.com  
**FURUNO U.S.A., INC.**  
U.S.A. | www.furunousa.com  
**FURUNO PANAMA S.A.**  
Republic of Panama | www.furuno.com.pa  
**FURUNO (UK) LIMITED**  
U.K. | www.furuno.co.uk  
**FURUNO NORGE A/S**  
Norway | www.furuno.no

**FURUNO DANMARK A/S**  
Denmark | www.furuno.dk  
**FURUNO SVERIGE AB**  
Sweden | www.furuno.se  
**FURUNO FINLAND OY**  
Finland | www.furuno.fi  
**FURUNO POLSKA Sp. z o.o.**  
Poland | www.furuno.pl  
**FURUNO DEUTSCHLAND GmbH**  
Germany | www.furuno.de

**FURUNO FRANCE S.A.S.**  
France | www.furuno.fr  
**FURUNO ESPAÑA S.A.**  
Spain | www.furuno.es  
**FURUNO ITALIA S.R.L.**  
Italy | www.furuno.it  
**FURUNO HELLAS S.A.**  
Greece | www.furuno.gr  
**FURUNO (CYPRUS) LTD**  
Cyprus | www.furuno.com.cy

**FURUNO SHANGHAI CO., LTD.**  
China | www.furuno.com/cn  
**FURUNO CHINA CO., LTD.**  
Hong Kong | www.furuno.com/cn  
**FURUNO KOREA CO., LTD**  
Korea  
**FURUNO SINGAPORE**  
Singapore | www.furuno.sg

**PT FURUNO ELECTRIC INDONESIA**  
Indonesia | www.furuno.id  
**FURUNO ELECTRIC (MALAYSIA)  
SND. BHD.**  
Malaysia | www.furuno.my