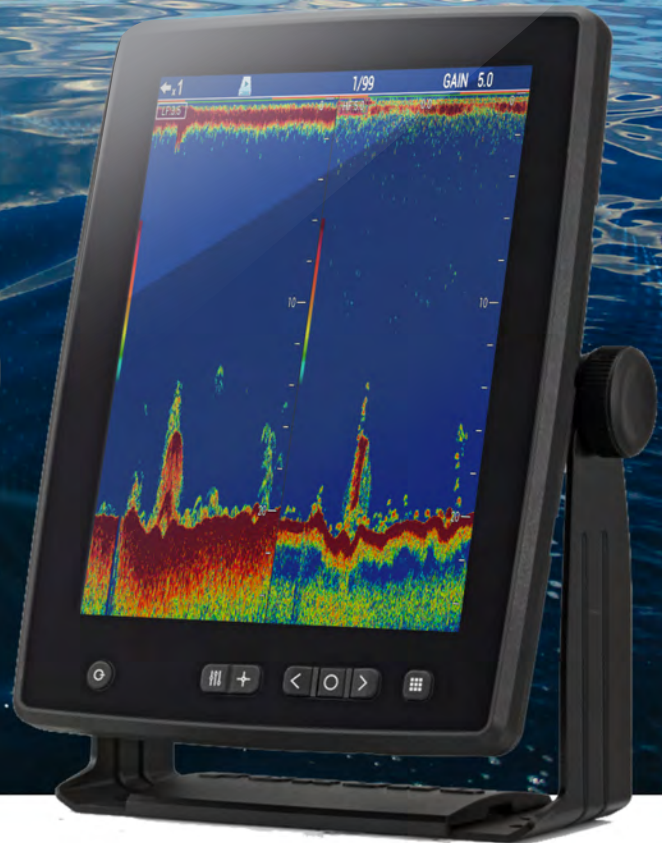
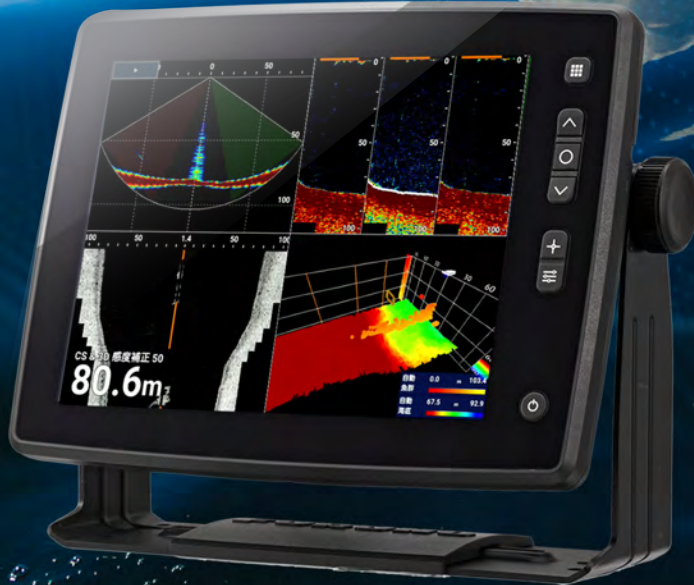


# FURUNO

## FLEX Function Display

Model

# SFD-1010/1012



10" and 12" Display Units

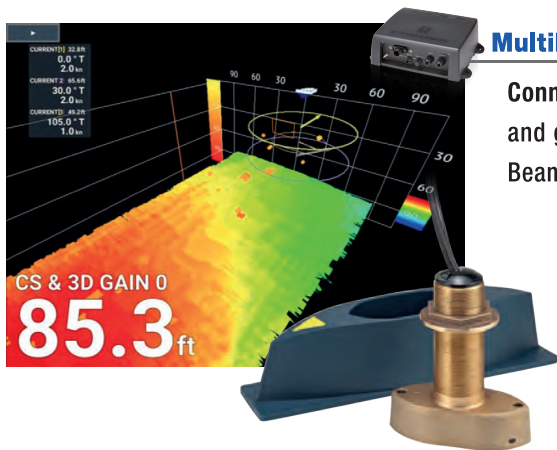


# Highly Flexible Displays

Discover the SFD-1010/1012, 10" and 12" display and control units compatible with a wide range of Furuno sensors from DRS4DL+ Radar to DFF-3D Multibeam Sonar or Fish Finders. These are versatile and highly adaptable Display units that, combined with a hub and your favorite sensors, allow multiple configurations to suit all needs, from recreational boating to workboats.

## Designed to work with our most popular sensors

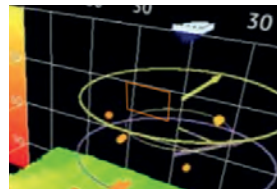
SFD-1010/1012 has been designed to work with our most popular sensors such as Radars, Fish Finders and DFF-3D. Each display unit will therefore be able to display the desired mode depending on the configuration.



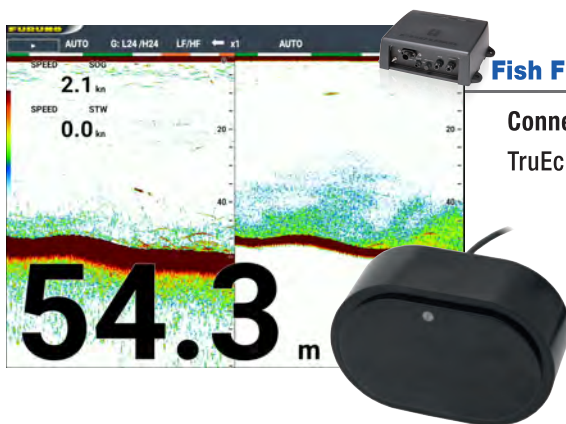
### Multibeam Sonar

Connect our popular **DFF-3D** Multibeam Sonar which displays echoes in high-resolution and gives you access to several useful modes such as Cross Section, 3D history, Triple Beam, or Side-Scan.

**New** DFF-3D/SFD Combo features sea current overlay & virtual net mark



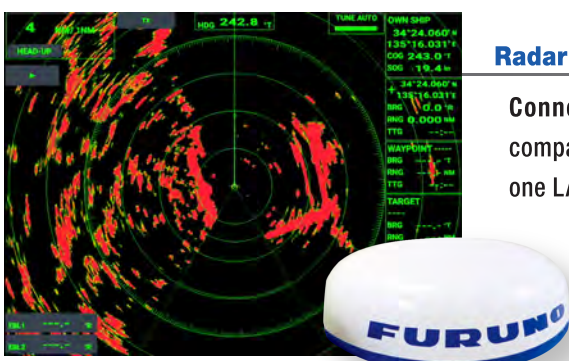
Thanks to a virtual fishing net, you will be able to determine the position of the net's mouth in relation to the targeted school of fish and thus increase the efficiency of your catch. In addition, you can overlay sea current information as shown in the picture.



### Fish Finder

Connect our most powerful Fish Finders and enjoy our best fishing technologies such as TruEcho CHIRP™ and ACCU-FISH™ for maximum clarity.

- ▶ Choose your best Fish Finder Among **BBDS1**, **DFF1**, **DFF1-UHD**, **DFF3** depending on your needs.
- ▶ High Resolution Fish Finders provide better bottom contours & clearer presentation that separates bottom structure from bottom fish.



### Radar

Connect our Plug-and-Play Radar to ensure your safety at sea with the extremely compact Radome 19" **DRS4DL+** which features Fast Target Tracking™ and requires only one LAN cable and one Power Supply cable for its installation.

▶ Multi-station for dual Radar display

The Multi-station feature allows you to connect two SFD displays to one Radar. We recommend the vertical orientation when using Off-center. it is perfect for Workboats.



### Flexible orientation for your favorite display mode

Freely adjust the orientation of your display in a short time and without the need for any tool to do it!



#### Touch Control + Control Keys

The SFD is also very flexible in its control capabilities, ranging from multi-touch to control keys, as well as operation with an optional mouse.



Adjustable bracket to fit your preferred display orientation.

### Flexible configuration with the Multi-Station

Connect two SFD-1010/1012 display units with two sensors at the same time or two display units with one sensor through the **Ethernet hub\*** to be able to view your desired modes at the same time with only one setup.

#### Available configurations:

- 2 Sensors with 2 Displays
- 1 Sensor with 2 Displays
- 1 Sensor with 1 Display

- \*2 Display units max
- \*1 Radar unit max for each configuration



\*Optional HUB-101/HUB-102 or local supply

Multibeam Sonar DFF-3D  
Fish Finder BBDS1, DFF1, DFF1-UHD, DFF3

## Specifications

### Display Unit

<b>SFD-1010</b>	10.4" TFT color LCD, 1024x768 (XGA)
<b>SFD-1012</b>	12.1" TFT color LCD, 1024x768 (XGA)
<b>Brilliance</b>	800 cd/m <sup>2</sup>
<b>View angle</b>	80°(minimum)
<b>Navigation data</b>	Date, Time, Course, Own Ship's position, Bearing, COG/SOG, Bow direction
<b>Weather Information</b>	AWA, AWS, TWA, TWD, TWS, Air pressure, Water depth
<b>Language</b>	English, Japanese

### Radar Function

<b>Orientation mode</b>	Head-up, North-up, Course-up
<b>Trial length</b>	15/30 sec, 1/3/6/15/30 min or continuous
<b>ARPA target</b>	0~30

### Fish Finder Function

<b>Color display</b>	Depends on the external Fish Finder in use
<b>Display mode</b>	Single Frequency, Dual Frequency, Zoom, A-Scope
<b>Expansion mode</b>	Bottom-lock expansion, Bottom zoom

### Multibeam Sonar Function (When connected to DFF-3D)

<b>Display mode</b>	Multibeam Fish Finder, Side-scan, 3D history
<b>Depth range</b>	1200 m max. (4000 ft, 650 fm, 800 HR, 750 pb)
<b>Adjustment</b>	Display, Brilliance, Diagnosis

### Interface

<b>Number of ports</b>	
<b>-Serial</b>	2 ports, NMEA0183
<b>-LAN</b>	1 port, Ethernet 100Base-TX, RJ45
<b>-USB</b>	1 port, USB2.0 (Type A), For maintenance
<b>-NMEA2000</b>	1 port
<b>-HDMI output</b>	1 port, 1280x720 (HD)
<b>Data sentence</b>	
<b>-Input</b>	GGA, GNS, HDG, HDT, MDA, MWV, RMA, RMB, RMC, THS, TLL, VHW, VTG, WPT, ZDA
<b>-Output</b>	TLL

### Power Supply

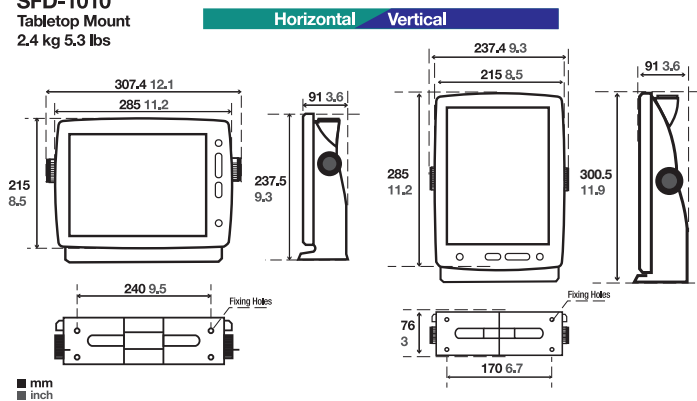
**FLEX Function Display** 12-24 VDC: 3.0-1.5 A

### Environmental Conditions

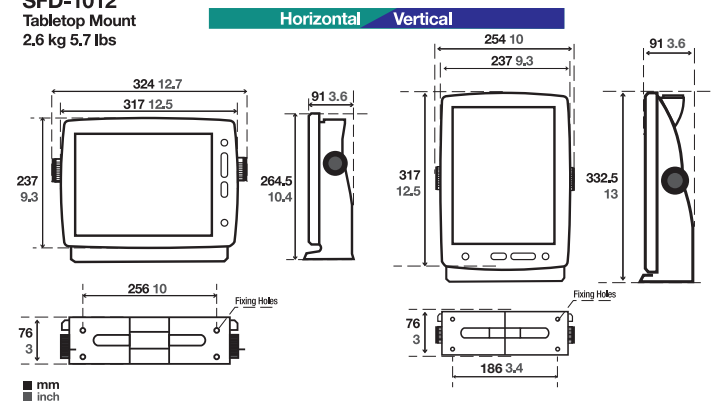
<b>Temperature</b>	-15°C~+55°C
<b>Humidity</b>	93%
<b>Protection</b>	IP25
<b>Vibration</b>	IEC60945 Ed.4

## Drawings

**SFD-1010**  
Tabletop Mount  
2.4 kg 5.3 lbs

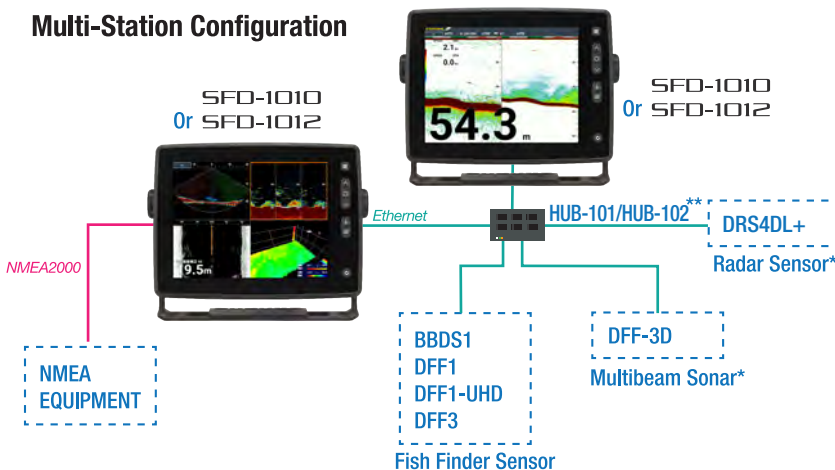


**SFD-1012**  
Tabletop Mount  
2.6 kg 5.7 lbs



## Interconnection Diagram

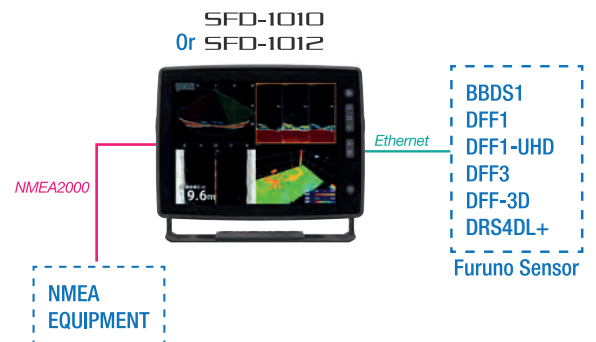
### Multi-Station Configuration



\*Up to 2 sensors can be connected to a SFD unit at a time.

\*\*Optional Hub or local supply

### Stand-Alone Configuration



Beware of similar products

All brand and product names are registered trademarks, trademarks or service marks of their respective holders.

SPECIFICATIONS SUBJECT TO CHANGE WITHOUT NOTICE

**FURUNO ELECTRIC CO., LTD.**  
Japan | www.furuno.com  
**FURUNO U.S.A., INC.**  
U.S.A. | www.furunousa.com  
**FURUNO PANAMA S.A.**  
Republic of Panama | www.furuno.com.pa  
**FURUNO (UK) LIMITED**  
U.K. | www.furuno.co.uk  
**FURUNO NORGE A/S**  
Norway | www.furuno.no

**FURUNO DANMARK A/S**  
Denmark | www.furuno.dk  
**FURUNO SVERIGE AB**  
Sweden | www.furuno.se  
**FURUNO FINLAND OY**  
Finland | www.furuno.fi  
**FURUNO POLSKA Sp. Z o.o.**  
Poland | www.furuno.pl  
**FURUNO DEUTSCHLAND GmbH**  
Germany | www.furuno.de

**FURUNO FRANCE S.A.S.**  
France | www.furuno.fr  
**FURUNO ESPAÑA S.A.**  
Spain | www.furuno.es  
**FURUNO ITALIA S.R.L.**  
Italy | www.furuno.it  
**FURUNO HELLAS S.A.**  
Greece | www.furuno.gr  
**FURUNO (CYPRUS) LTD**  
Cyprus | www.furuno.com.cy

**FURUNO SHANGHAI CO., LTD.**  
China | www.furuno.com/cn  
**FURUNO CHINA CO., LTD.**  
Hong Kong | www.furuno.com/cn  
**FURUNO SINGAPORE**  
Singapore | www.furuno.sg  
**PT FURUNO ELECTRIC INDONESIA**  
Indonesia | www.furuno.id

**FURUNO ELECTRIC (MALAYSIA) SND. BHD.**  
Malaysia | www.furuno.my

Catalogue No. CA000002397  
D-2406LB