

FURUNO

Voyage Planning System

Planning Station

Model: PS-100



Photo:
Hatteland 55 inch touchscreen monitor
(Local supply)

www.furuno.com

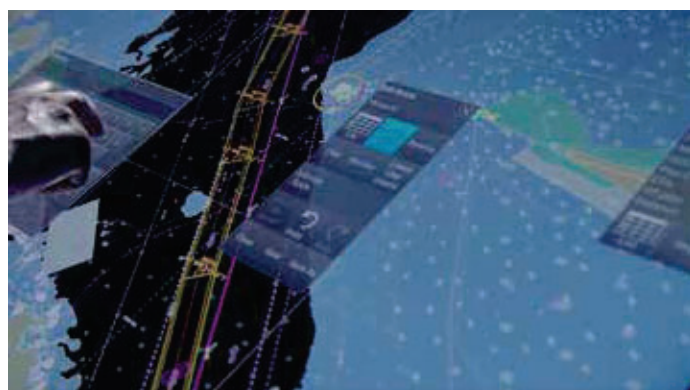
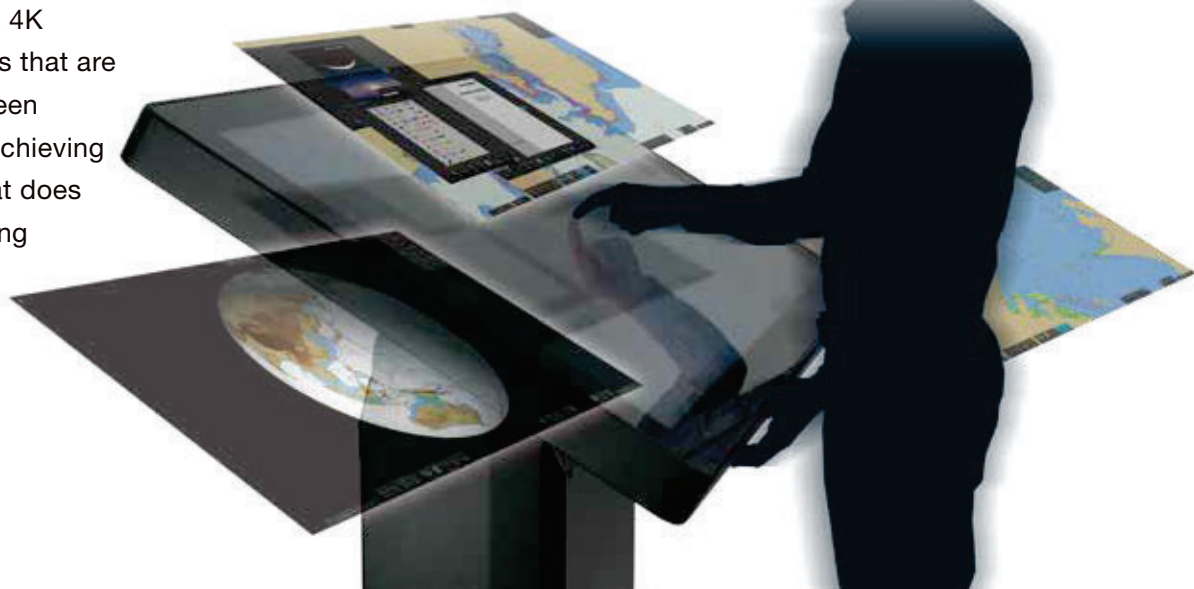
From voyage planning to monitoring supporting safer and more efficient

- FURUNO's unique rendering technology enables high-speed drawing and seamless operation on a 4K-compatible high-definition charts (ENC)
- Intuitive graphic interface specialized for voyage planning
- Various user-friendly tools available for planning and surveillance*¹
- NAPA Voyage Optimization improves voyage efficiency by optimizing route and speed profiles with the Planning Station*²
- Contributes to sharing information easily during your briefing/debriefing meetings.

※1 Compatible with Furuno ECDIS only. ※2 Connect Gate-1 and the optional subscription is required.

Remarkably seamless operability

This product features 4K high-definition images that are suitable for large-screen displays, while also achieving smooth operation that does not cause stress during operation.



Graphic user interface specifically designed for voyage planning

Touchscreen interface for easy and intuitive use. Floating windows allow you to move settings screens, information frames, and documents to any location within the frame with one touch.

ng, t navigation

Planning Station

Model: PS-100

For additional information,
visit our YouTube channel.



Planning | Support your efficient route planning

Create route/user chart

You can easily create new routes, edit existing routes, and create new points, lines, areas, and circles by simply tapping the screen.



Calculate recommended ship speed

By setting ETD/ETA^{*1} for each waypoint in the route, the recommended ship's speed can be calculated and displayed automatically. In addition, the results of the route analysis in your planning routes are automatically displayed with green, yellow, and red color-coded status.

Green: Nothing found
Yellow: Cautions found
Red: Safety contour warning

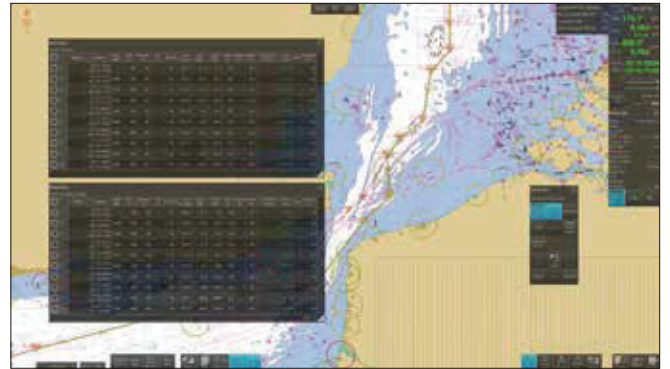


*1 At least one waypoint must be set. If the ETA for that waypoint is not the final destination, the remaining route will be calculated based on the maximum ship speed.

*2 Automatic calculation using the maximum ship speed set in the ship's parameters and taking into account various information.

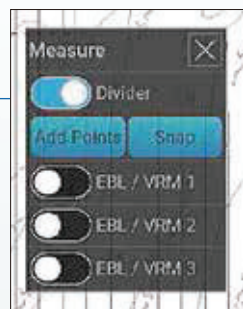
Route comparison/ route playback function

Display and review multiple routes for comparison, including those you wish to assess and those previously utilized. This feature proves value for sharing information among crew members.



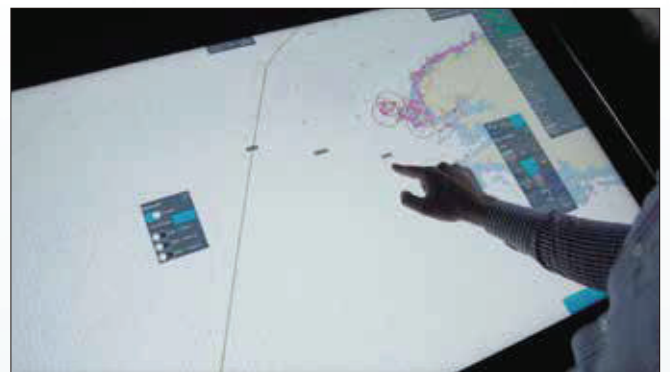
Divider

The divider can be used to measure distance between two or more points.



EBL/VRM

Three sets of EBL/VRM can be used for measuring bearing and distance.



Operational performance optimization* – NAPA Voyage Optimization –

Voyage Optimization, an operation performance optimization service provided by NAPA, can be accessed through Service Gateway Gate-1 (optional). NAPA Voyage Optimization is a solution that leverages a vessel's unique performance model to optimize the voyage plan (route/vessel speed allocation), enhance operational safety, and decrease fuel consumption and GHG emissions.

* Option contact required.

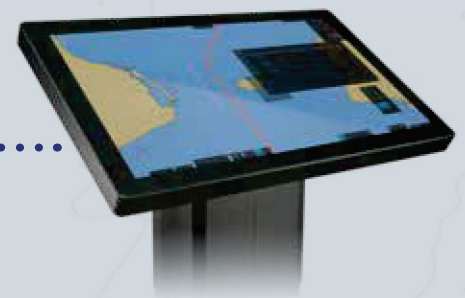


Service Gateway Gate-1 (option)



- Chart can be automatically updated by purchasing and updating chart licenses via Gate-1.
- Compatible with UKHO charts (raster/ENC)*1
- Pay as You Sail (PAYS) available*2

*1 UKHO contract required. *2 PAYS contract required.



PS-100

Monitoring | Monitoring for a safe voyage

Sensor information

The heading, speed, course over ground, speed over ground, and own ship position are displayed on the ENC chart.

The own ship symbol is displayed on the ENC chart, and the position information of the own ship is automatically recorded as a voyage log along with the sensor information.

Radar information

With a single click on the menu, you can overlay radar images and check landforms and sea obstacles. It is also possible to superimpose the trail display.

* ECDIS, radar, and AIS receiver must be connected to the same network.



Target information*

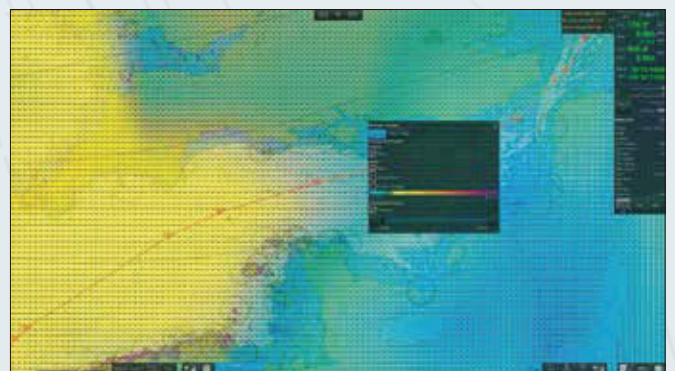
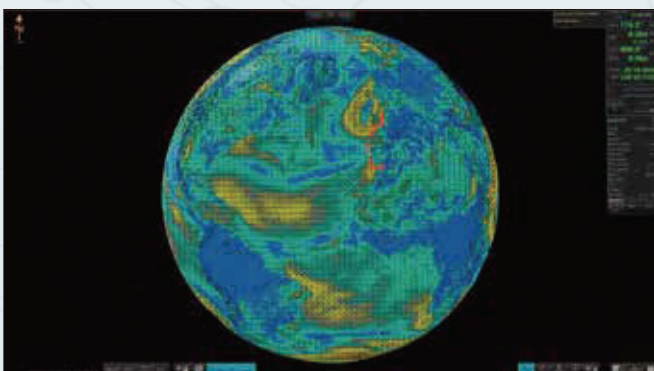
AIS target information and TT information can be displayed. In addition, you can select the display status (target information, position display, filter addition, selected target pause/activation, etc.) from the list of targets.

* ECDIS, radar, and AIS receiver must be connected to the same network.



Weather information

Weather information can be superimposed by importing data in grib1 (.grb)



Sharing | For better information sharing within the crew

ECDIS Integration*

Routes and user charts created with the PS-100 and ECDIS can be shared between units. Data that is created or modified is automatically distributed to other units, eliminating the need for manual data migration.

* ECDIS, radar, and AIS receiver must be connected to the same network.
FMD-3100/3200/3300, FAR-3xx0: version 5.03 or later



ECDIS
Electronic Chart Display and Information System



Call the same Circle from ECDIS created by PS-100.

Shareable Data

- Charts
- Route files
- User chart
- Own ship parameters
- Sensor information used by ECDIS
- Radar overlay
- Own ship setting
- Voyage log

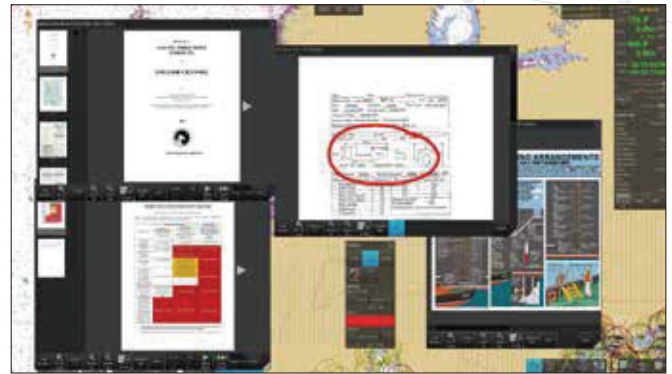
Briefing/Debriefing

The Planning Station can centrally manage information and display route comparisons and playback on a large screen.



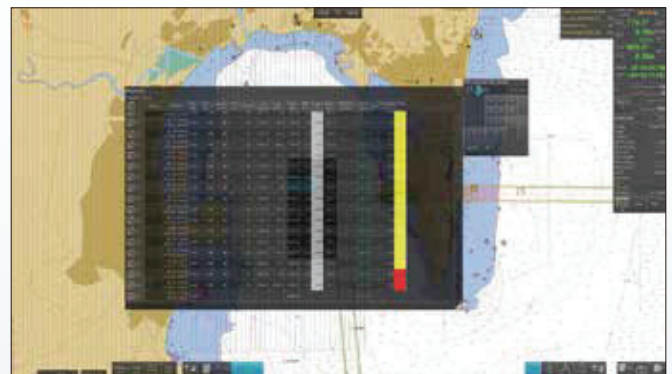
Document Viewing

You can centrally manage information by importing documents into the planning station. In addition, by attaching documents to any user chart object, you can efficiently view and share information in the sea areas and timings where confirmation of documents is required.

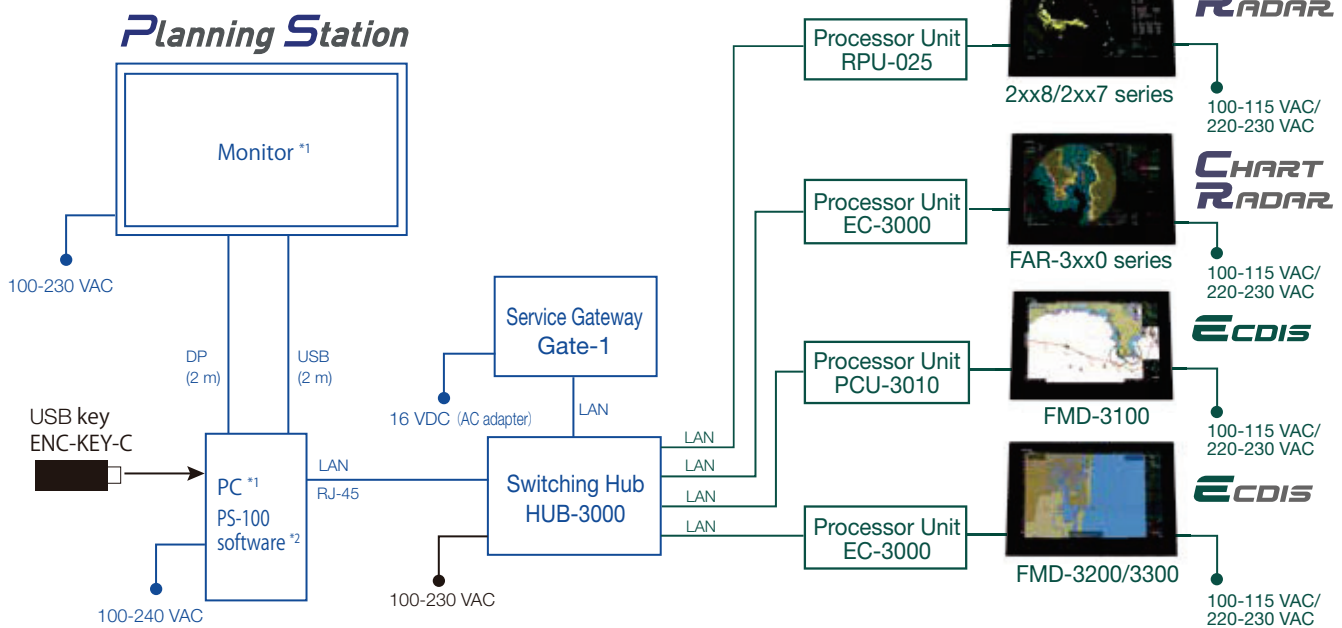


Schedule management

Enter the speed to calculate the estimated arrival time, and set the ETA to the waypoint to automatically calculate the speed.



Connection diagram



*1 Please ask Furuno's sales representative for the recommended touch monitor/control unit.

*2 ENC chart locally supplied.

— Standard
 — Option
 — Customer supply

Specifications

Product name	Voyage Planning System (Planning Station)
Model	PS-100

General

Functions	Route planning, Route monitoring, User chart, Own ship's mark, Weather forecast ¹ , ENC chart, Document viewer, Position fixing, Voyage log, Playback log, Radar overlay, Tidal overlay ²
Mark/Data indications	Own ship's speed/course/position, Clock/Time zone, Color pallet, Screenshot, System reboot, Route, User chart, Search, Target tracking control, Graph, User interface switching, Safety message

¹ grib file required. ² future planning

PC (Local supply)

CPU	Core i7 9th generation or later
Clock	2.4 GHz or more
Graphic board	Nvidia Quadro P2200 or later
Memory	RAM: 16 GB, SSD: 240 GB
Power supply	350 W or more

Interface

LAN	1 port, Ethernet 100Base-TX/1000Base-T, RJ45
Data sentences	IEC61162-1/2
Input	GGA, GLL, GNS, HDT, OSD, THS, TLB, TTD, TTM, RMC, ROT, VBW, VDM, VDO, VHW, VTG, ZDA

Monitor (Local supply)

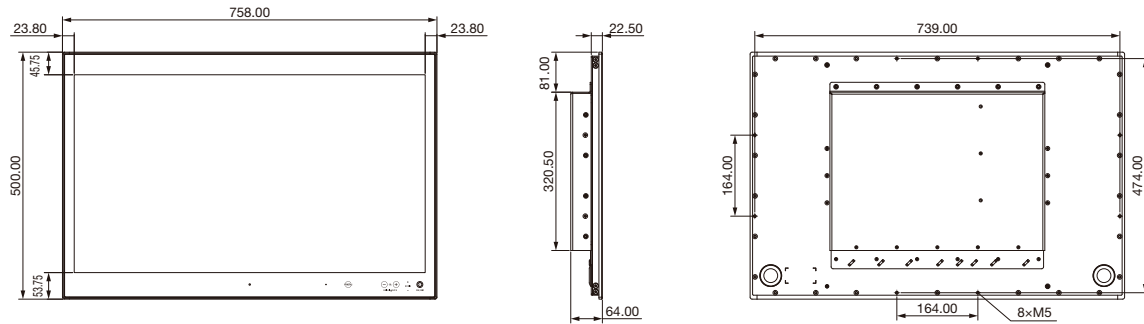
Type	Touch monitor		
Resolution	3840 x 2160 (4K)		
Size	55 inch	43 inch	32 inch
Brightness	450 cd/m ²	500 cd/m ²	350 cd/m ²
Output power	115-230VAC, 50/60Hz		100-240VAC 50/60Hz, 24 VDC

Number of ports

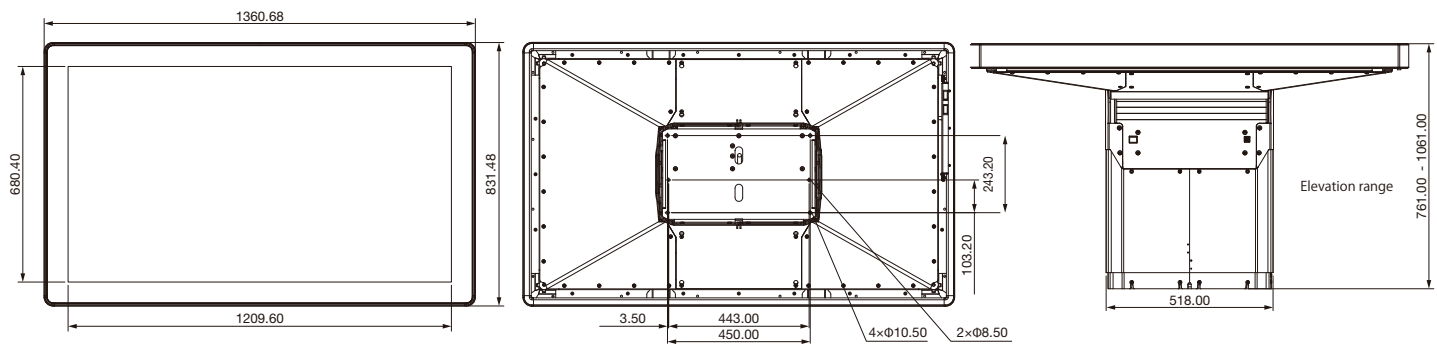
HDMI (1.4) input	2 ports	2 ports	-
HDMI (2.0) input	1 port	1 port	1 port
DisplayPort (1.2) input	1 port	1 port	1 port
USB TYPE A	1 port	1 port	1 port
RS-422/485	1 port	1 port	1 port
RS-232C	1 port	1 port	1 port
Ethernet	1 port	1 port	1 port
Analog input	1 port	1 port	1 port

Drawings

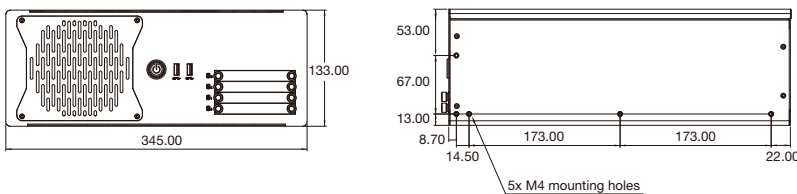
32 inch (Desktop, wall mount)



55 inch (Chart table, floor mount, wall mount, flusha mount)



Processor unit



Beware of similar products

All brand and product names are registered trademarks, trademarks or service marks of their respective holders.

SPECIFICATIONS SUBJECT TO CHANGE WITHOUT NOTICE

FURUNO ELECTRIC CO., LTD.
Japan | www.furuno.com
FURUNO U.S.A., INC.
U.S.A. | www.furunousa.com
FURUNO PANAMA S.A.
Republic of Panama | www.furuno.com.pa
FURUNO (UK) LIMITED
U.K. | www.furuno.co.uk
FURUNO NORGE A/S
Norway | www.furuno.no

FURUNO DANMARK A/S
Denmark | www.furuno.dk
FURUNO SVERIGE AB
Sweden | www.furuno.se
FURUNO FINLAND OY
Finland | www.furuno.fi
FURUNO POLSKA Sp. z o.o.
Poland | www.furuno.pl
FURUNO DEUTSCHLAND GmbH
Germany | www.furuno.de

FURUNO FRANCE S.A.S.
France | www.furuno.fr
FURUNO ESPAÑA S.A.
Spain | www.furuno.es
FURUNO ITALIA S.R.L.
Italy | www.furuno.it
FURUNO HELLAS S.A.
Greece | www.furuno.gr
FURUNO (CYPRUS) LTD
Cyprus | www.furuno.com.cy

FURUNO SHANGHAI CO., LTD.
China | www.furuno.com/cn
FURUNO CHINA CO., LTD.
Hong Kong | www.furuno.com/cn
FURUNO KOREA CO., LTD
Korea
FURUNO SINGAPORE
Singapore | www.furuno.sg
PT FURUNO ELECTRIC INDONESIA
Indonesia | www.furuno.id

FURUNO ELECTRIC (MALAYSIA) SND. BHD.
Malaysia | www.furuno.my